

# Aegis A152Tx



<b>TABLE OF CONTENTS</b>	
<b>Features</b>	<b>3</b>
<b>Specifications</b>	<b>4</b>
<b>Physical Diagrams</b>	<b>5</b>
<b>Unpacking</b>	<b>7</b>
<b>Switch and Controls</b>	<b>8</b>
<b>OSD Settings</b>	<b>9</b>
<b>Installation</b>	<b>12</b>
<b>External Power Adapter</b>	<b>14</b>
<b>MCR Installation</b>	<b>15</b>
<b>MCR Parameter Modification</b>	<b>19</b>
Preparing The Hardware	20
<b>VFD Customer Display Installation</b>	<b>21</b>
<b>Trouble Shooting</b>	<b>26</b>

The information in this document is subject to change without prior notice in order to improve reliability, design and function and does not represent a commitment on the part of the manufacturer. In no event will the manufacturer be liable for direct, indirect, special, incidental, or consequential damages arising out of the use or inability to use the product or documentation, even if advised of the possibility of such damages.

## FEATURES

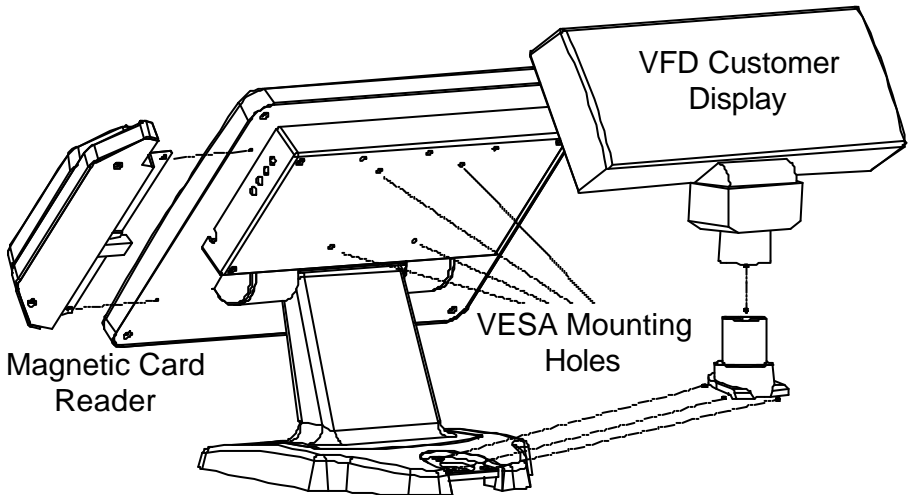
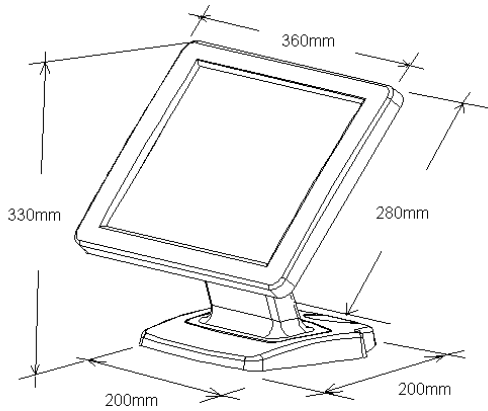
- Cast aluminium front and base construction - rugged and durable
- Compact size and small footprint - fits where space is at a premium
- Standard VGA for easy interface to a standard PC VGA port.
- Flicker-free LCD display - easy on the eyes
- Low radiation - poses less hazard to user`s health
- Power-thrift - environmentally friendly
- Tilttable display - adapts to placement, user position and lighting conditions
- VESA mounting holes - fits optional tilt/swivel wall mount fixtures
- Flexible power options - tap power from the computer or use an external adapter
- Point of sales industry specific options - touch screen, VFD customer display, magnetic card reader

**SPECIFICATIONS**

Model	A152TX	
Display Panel Type	TFT LCD	
Display Area	15.00"	
Display Resolution	1024 x 768 XGA	
Colour Resolution	262,144	
Pixel Pitch	0.297x 0.297	
Brightness	250 nits (typ)	
Contrast Ratio	300:1 (typ)	
Touch Screen	Elo 5 – wire resistive touch overlay	
Signal Interface	Standard VGA connector use with Digital Display Adapter	20 pins MDR connector 15 pins D-Sub Analog signal
Display Adapter Mode	800x600 1024x768	VESA XGA 1024x768 @ 60-75Hz
Energy Saving Mode	VESA DPMS compliant	
Power Supply	12v @ 3A	
Weight	6.4 kg	

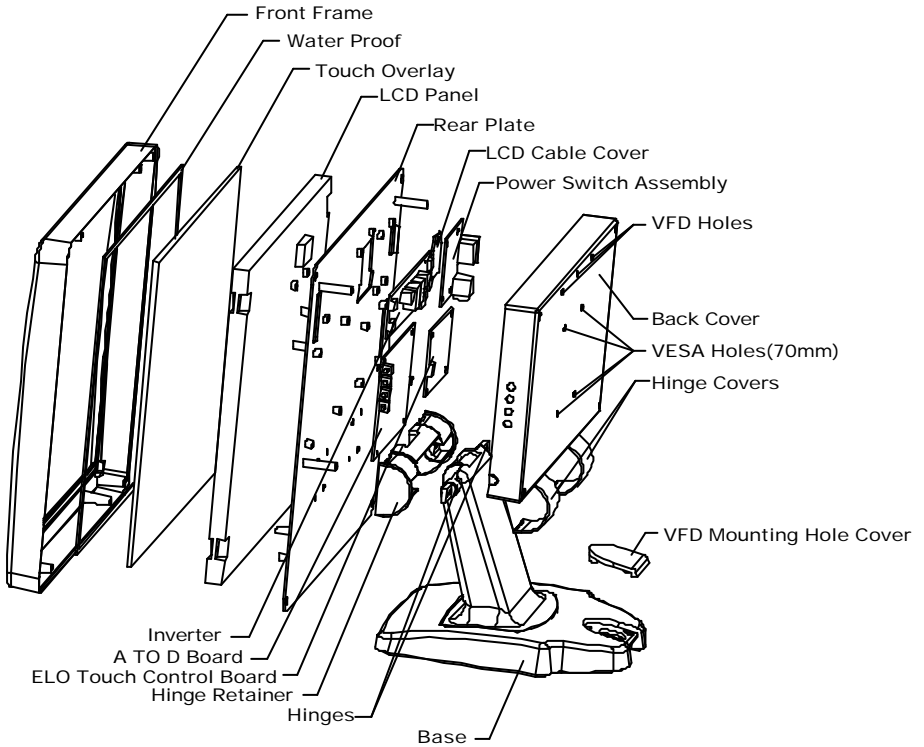
For Model A152Tx, it is recommended to use 1024x768 60-75Hz for display adapter setting. Other resolutions would function, but possibly at degraded display quality.

### PHYSICAL DIAGRAMS



**Aegis Options**

Aegis – A152Tx

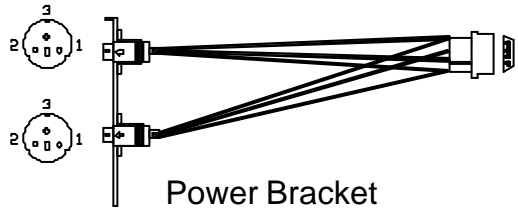
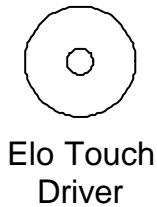
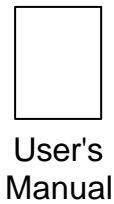
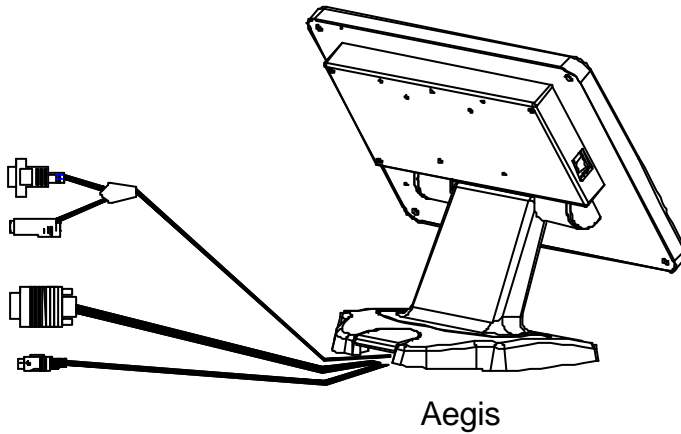


## UNPACKING

Upon unpacking, please inspect to make sure all items are in place and in good condition. If there is any damaged or missing item, please contact your dealer immediately.

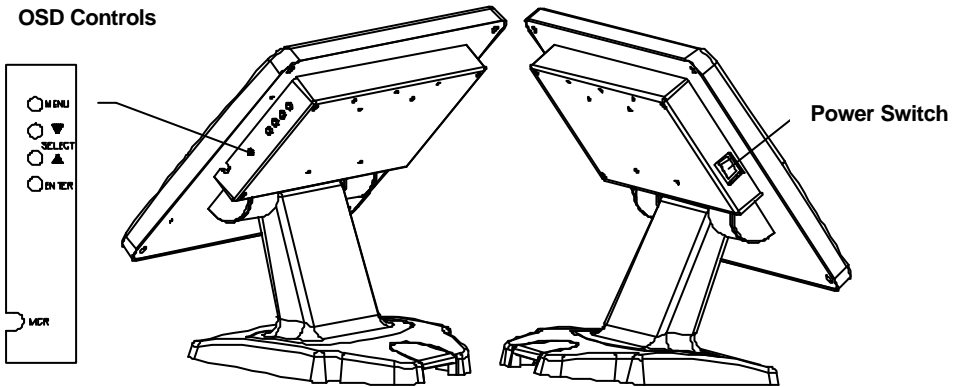
Item list for Model A152TX

1. LCD Display unit with tilt base
2. Power bracket
3. User's manual
4. Driver CD for Elo touch screen



## SWITCH AND CONTROLS

Model A152TX has built-in OSD (on screen display) controls to adjust various display parameters. The control buttons are located on the right side of the back cover.



## OSD SETTINGS

There are four buttons on OSD panel: Select Down, Up, and Enter. The functions of these four buttons are as follows:

<b>Menu</b>	Press it to open OSD window. Back one menu level up.
<b>Down Arrow</b>	Press it to exit OSD window while in OSD mode. Press it to scroll item selection bar down. To decrease the parameter value.
<b>Up Arrow</b>	To switch the item selection. (Ex: YES / NO). Press it to scroll item selection bar up. To increase the parameter value.
<b>Enter</b>	To switch the item selection. (Ex: YES / NO). Enter the selected sub-menu. Confirm selected function.

**OSD Menu Structure**

<b>RGB Menu</b>	Brightness	
	Red	-127 ~ 127
	Green	-127 ~ 127
	Blue	-127 ~ 127
	Color Temp	0 ~ 7
	Sharpness	0 , 1
	Main Menu	
<b>Geometry Menu</b>	Auto-Adjustment	
	H. Position	0 ~ 252
	V. Position	1 ~ 26
	H. Total	1004 ~ 1108
	Auto Phase	
	Delay	0 ~ 61
	Main Menu	
<b>Contrast Menu</b>	Auto-Balance	
	Contrast	
	Red	0 ~ 511
	Green	0 ~ 511
	Blue	0 ~ 511
	Balance	
	Red	0 ~ 127
	Green	0 ~ 127
	Blue	0 ~ 127
	Main Menu	
<b>Language Menu</b>	English	
	Spanish	
	Main Menu	
<b>Auto Training</b>		<b>ON/OFF</b>
<b>DOS/GFX</b>		<b>ON/OFF</b>
<b>NVRAM init</b>		
<b>Power Down</b>		
<b>Revert</b>		
<b>Save</b>		

## OSD Item Description

➤ **Auto-Adjustment**

Automatically adjust the H/V position, frequency, phase, and black level.

➤ **Auto Phase**

Automatically adjust the sampling phase.

➤ **Brightness**

Adjusts the brightness of screen . This function will adjust the offset value of ADC. Setting this value too high or too low will degrade the display quality.

➤ **Contrast**

Adjusts the contrast of screen. This function will adjust the gain value of ADC. Adjust this value too high or too low will degrade the display quality.

➤ **DOS/GFX**

Enhance the text mode and graphics mode quality at resolutions of 1024x768.

➤ **H. Position**

Adjusts the horizontal display position of image.

➤ **V. Position**

Adjusts the vertical display position of image.

➤ **Language**

Select the languages used on OSD display. English is the default language .

➤ **Revert**

Reload the default OSD parameters set at factory.

➤ **Save**

Saves the parameters adjusted in the OSD mode.

➤ **Main Menu**

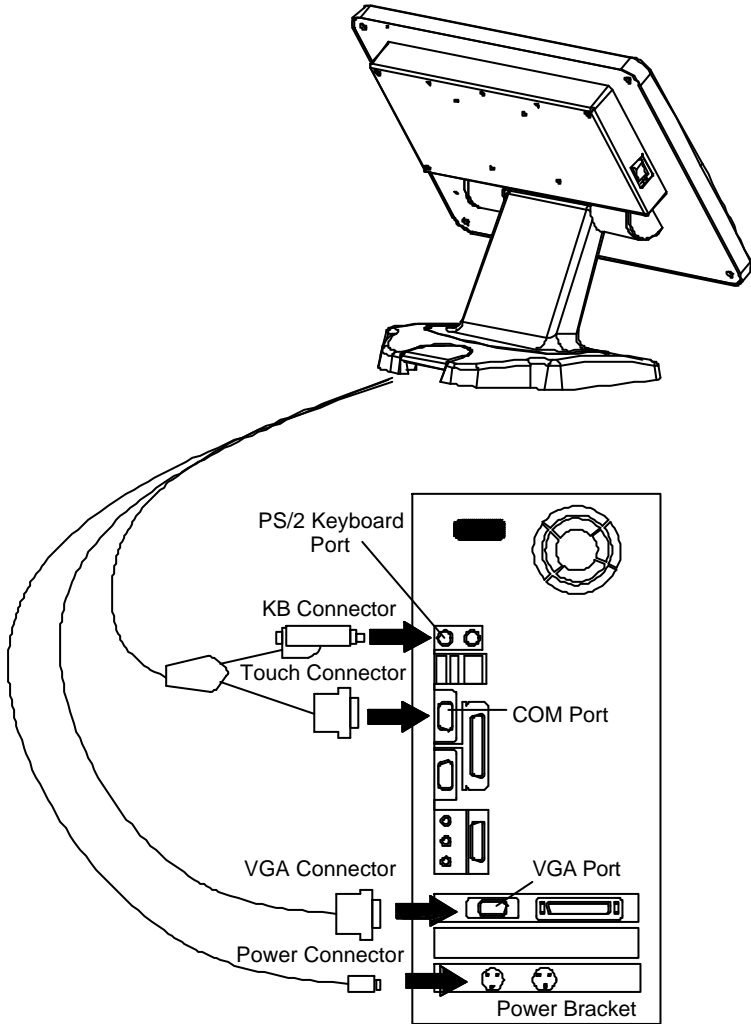
Leave current menu level and jump to the upper level.

## INSTALLATION

### Model A152TX

This model utilized standard VGA interface, thus needs no special display adapter.

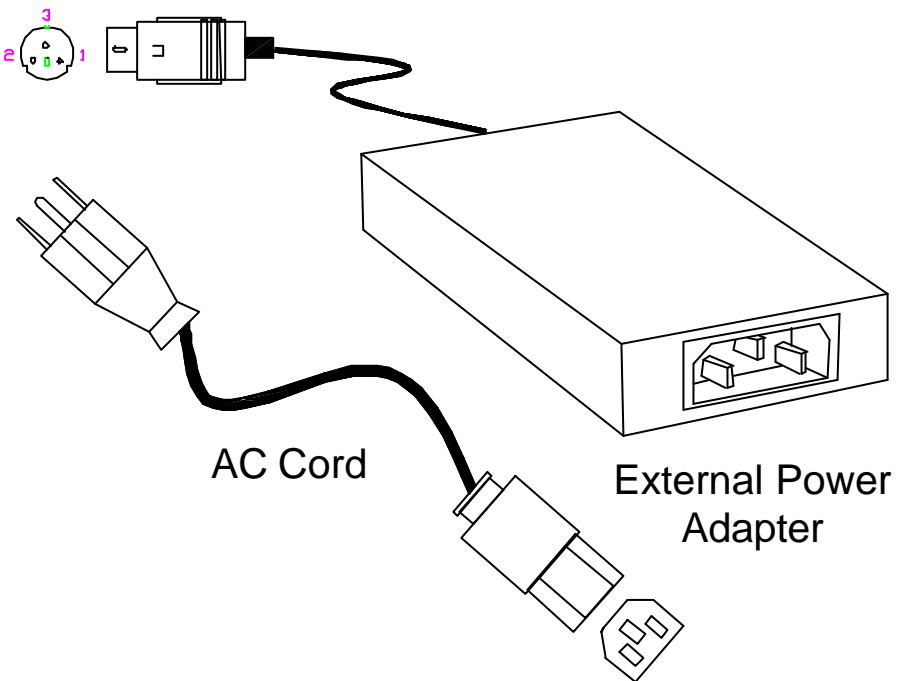
1. Turn off power to both the computer and the **Aegis**.
2. Put the **Aegis** on a steady surface.
3. Please refer to **Power Adapter** section for instruction on using an external power adapter and skip this step.  
For powering from the computer through the **Power Bracket**:
  - a. Open the computer case.
  - b. Secure the **Power Bracket** to an unused expansion slot bracket location.
  - c. Connect the connector on the **Power Bracket** wire assembly to a matching one from computer power supply.
  - d. Close the computer case.
  - e. Connect the **Aegis Power Connector** to one of the connectors on the **Power Bracket**.
4. Connect the **VGA Connector** to the VGA port on computer.
5. For the unit with touch screen function, please connect the **Touch Connector** to a COM port (RS-232C port) on the computer. Please note which port number is connected to, this information is required for touch driver installation.
6. For units with MCR (magnetic card reader) option. Connect the **KB Connector** to the PS/2 keyboard port on computer. If a keyboard is to be used, plug the connector from keyboard to the **KB Connector**.



## EXTERNAL POWER ADAPTER

For situation where the **Power Bracket** cannot be used to power the Aegis, an optional **External Power Adapter** can be used instead.

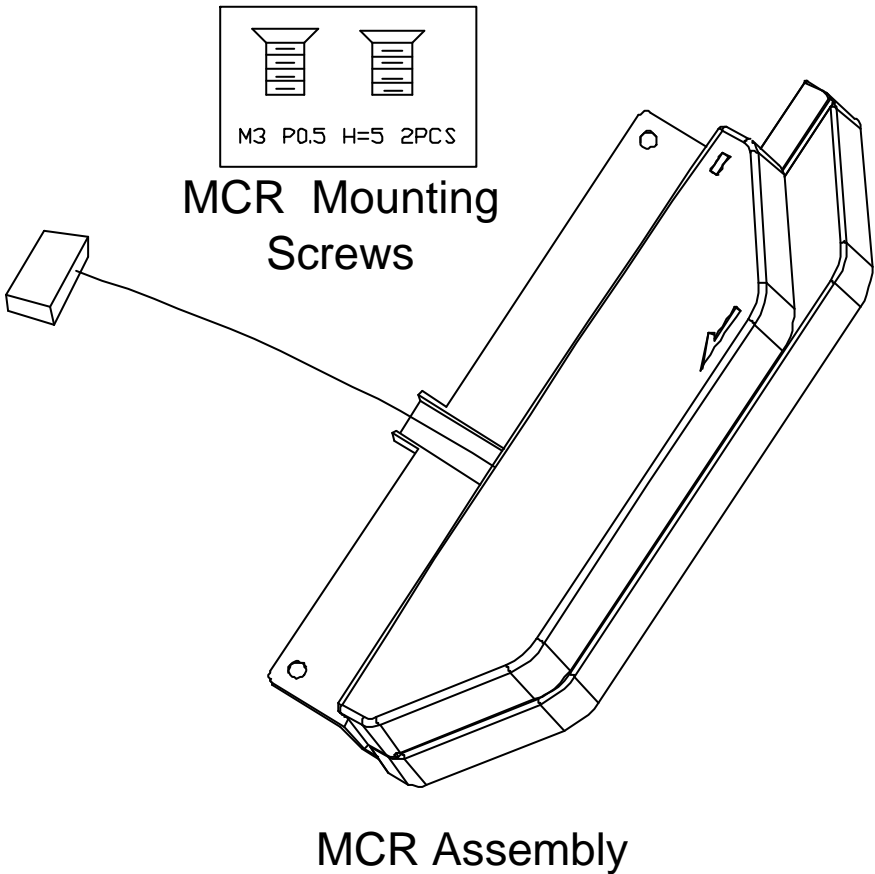
1. Check the items in the **External Power Adapter kit**, including a power adapter and an AC cord.
2. Turn off power to the computer and turn the **Aegis** power switch to off.
3. Plug one of the **Power Adapter** plug to the **Aegis Power Connector**.
4. Connect the AC plug of the **Power Adapter** to an AC outlet.



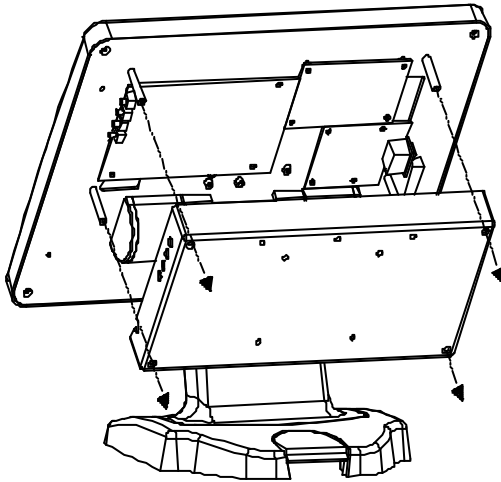
## MCR INSTALLATION

The MCR (magnetic card reader) option can be fitted to the right side of **Aegis**. This option allows the reading of magnetic stripe card through keyboard input.

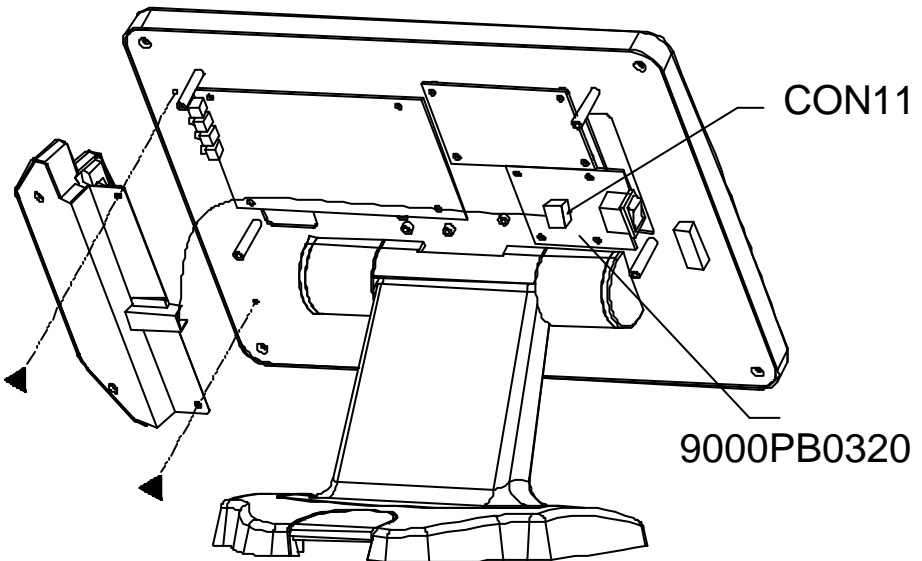
\* If there is a need to modify the MCR parameters, such as country code and track combination, please follow the instruction in the section, **MCR Parameter Modification**, before the MCR installation.



1. Check the items in the MCR option kit.
2. Turn off power to the **Aegis** and the computer.
3. Open the **Back Cover** on the **Aegis**.

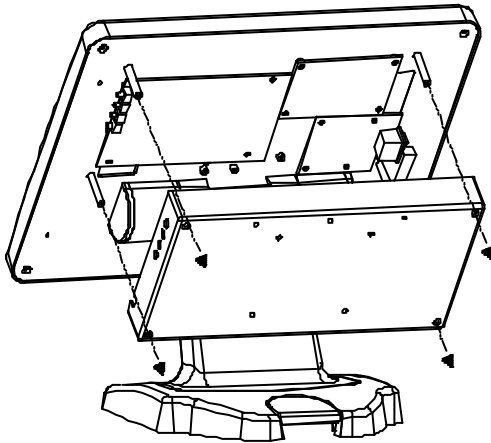


4. Take off the **Loopback Plug** on **CON11** of **9000PB0320** circuit board.
5. Attach the **MCR Assembly** to the Aegis. Secure with **MCR mounting screws**.
6. Plug the cable from **MCR Assembly** to **CON11** on **9000PB0320**.



7. Put the back cover on Aegis and secure with screws.

**\* If the MCR is taken off, the loopback plug must be re-inserted. Otherwise, the keyboard would not function.**



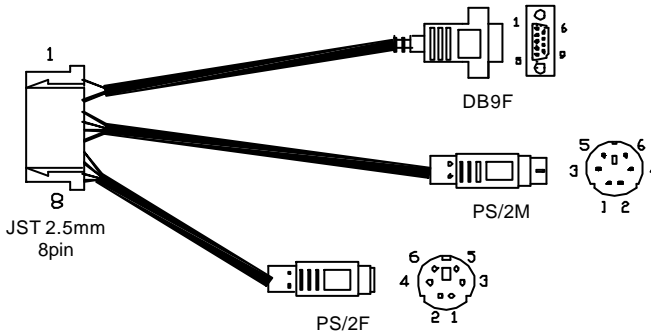
## MCR PARAMETER MODIFICATION

This option is for user who needs to customize the MCR parameters for a particular need. Some of the useful parameters include:

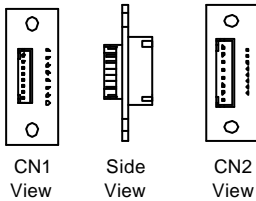
- The selection of country code other than the default English.
- The choice of track combinations.
- The preamble/postamble codes.

This kit consists of:

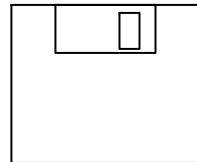
1. **MCR Mod Cable** with one female D-Sub connector (DB9F), one male PS/2 keyboard connector (PS/2M), one female PS/2 keyboard connector (PS/2F) and an inline 8-pin JST 2.5mm connector.
2. A circuit board, **9000PB0260**, with one JST 2.0mm 8pin header, CN1, and one JST 2.5mm 8pin header, CN2.
3. A floppy disk with the modification software is also provided.



MCR Mod Cable



9000PB0260



Mod Software  
Disk

## PREPARING THE HARDWARE

**The modification can be performed on a PC.**

1. Connect the cable from the **MCR Assembly** to **CN1** on **9000PB0260**.
2. Connect JST 8pin of **MCR Mod Cable** to **CN2** on **9000PB0260**.
3. Plug the **PS/2M** of the **MCR Mod Cable** to the keyboard port on the system.
4. Plug a PC keyboard to **PS/2F** of the **MCR Mod Cable**.
5. Plug DB9F of the MCR Mod Cable to either COM1 or COM2 on the system.

### **Performing the parameter modifications**

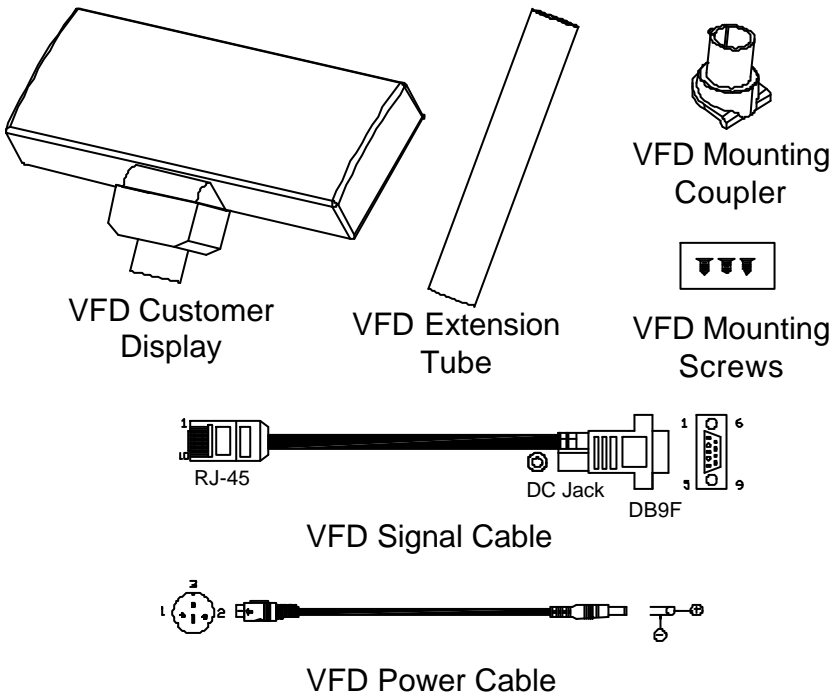
1. Run the system under DOS.
2. Execute **MAG.EXE** on the floppy disk.
3. Press **F6** to select the COM port used.
4. Modify the parameters through menu selection.
5. Press **F2** to load the modification into MCR.
6. Turn off the system.

### **Special note on French keyboard**

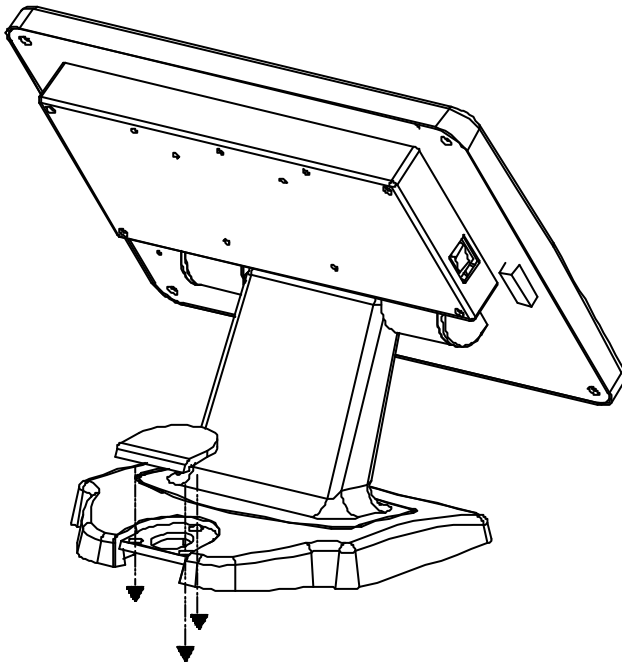
Please select **General Parameters** and make sure **ALT Mode** is enabled.

## VFD CUSTOMER DISPLAY INSTALLATION

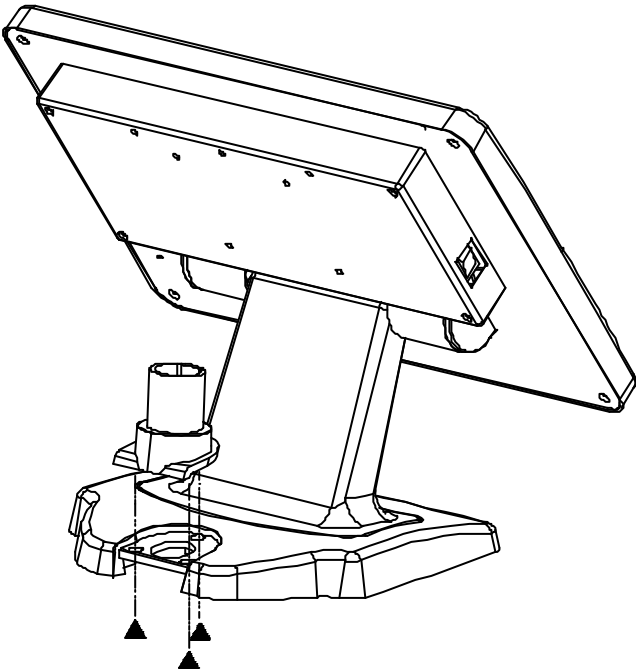
1. Check the items in the **VFD Customer Display Kit**.



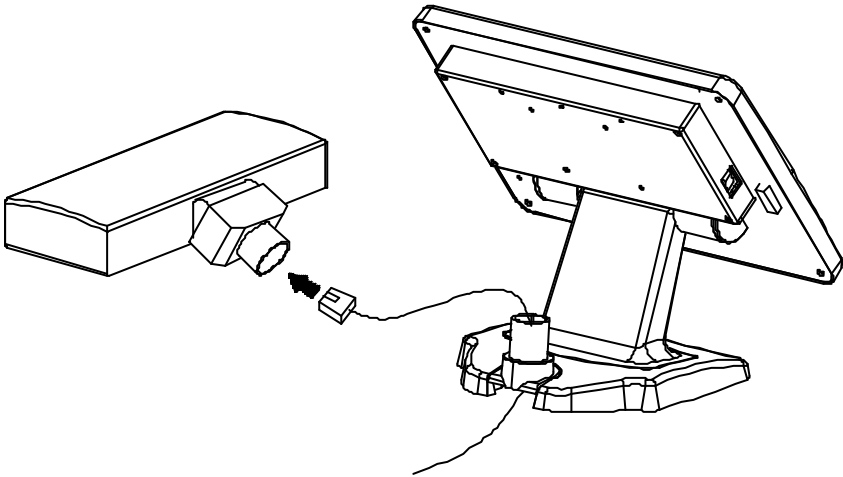
2. Turn off power to **Aegis** and the computer.
3. Remove the VFD **Mounting Cover** from the **Base** of **Aegis**.



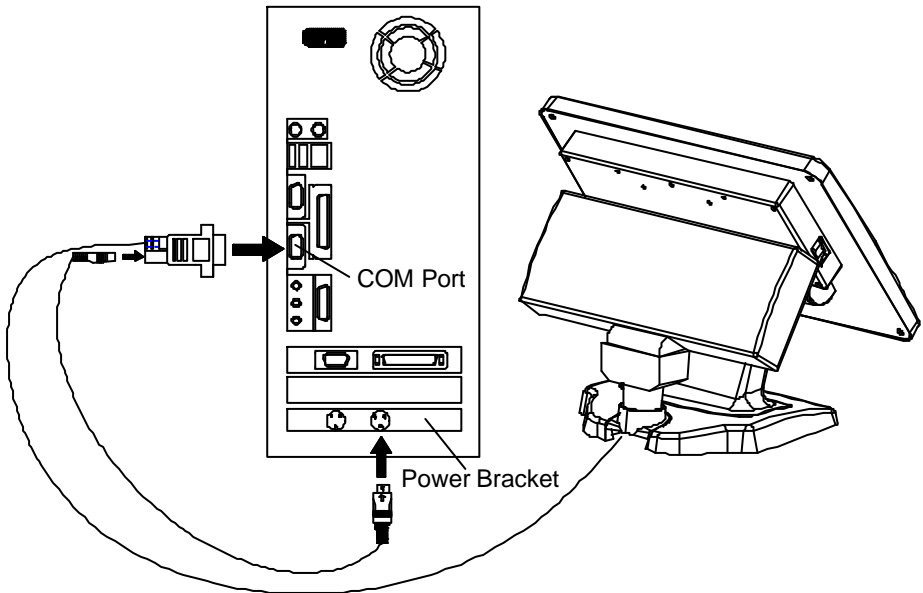
3. Secure the VFD Mounting Coupler to the Base with three VFD Mounting Screws.



4. Thread the **RJ-45** phone connector of the **VFD Signal Cable** through the **VFD Mounting Coupler**, from the bottom of **Aegis**
5. Plug the **RJ-45** connector to the **VFD Customer Display**.



6. Fit the **VFD Customer Display** onto the **VFD Mounting Coupler**.
7. Plug the **DB9F** connector of the **VFD Signal Cable** to a COM port on the computer.
- 8a. For powering from the computer.
  - a. Plug the 3 pin connector of **VFD Power Cable** to one of the connector on the **Power Bracket**.
  - b. Plug the other end of the **VFD Power Cable** to the **DC Jack** on the **DB9F** connector of the **VFD Signal Cable**.
- 8b. For powering using an external AC adapter.
  - a. Plug the DC plug from the AC adapter to the DC Jack on the **DB9F** connector of the **VFD Signal Cable**.
  - b. It is Important that only an AC adapter made specifically for this **VFD Customer Display** is used. Other AC adapters, even with the same DC Plug, if used may cause damage to the Customer Display and, possibly, the computer as well.



## TROUBLE SHOOTING

When encountering difficulties in using this product, please follow the steps below. If the problem persists, please contact the dealer.

### 1. No picture on screen

- a. Check the AC cord and signal cable. Make sure they are properly connected.
- b. Check whether the power switch is turned on.
- c. Check if the computer has entered energy saving mode.
- d. Check if the display adapter has been properly seated in the computer's slot.

### 2. Abnormal display colour

- a. Check if the signal cable is properly connected to the computer
- b. For model A152TX, using the on-screen-adjustment mode to adjust the colour parameters.

### 3. Skewed or distorted display

- a. Check if the signal cable is properly connected to the computer.
- b. For model A152TX, using the on-screen-adjustment mode to adjust the geometric parameters.

### 4. Picture too large or too small

- a. Check if the display resolution is set correctly in the operating system.
- b. For model A152TX, using the on-screen-adjustment mode to adjust the size parameters.

### 5. Touch screen does not work

- a. Check if the COM port cable is properly connected to the computer.
- b. Check if the Elo touch driver has been loaded properly.
- c. Check if the COM port number is set correctly.

### 6. VFD Customer Display does not display properly

- a. Check if the power cable is connected properly.
- b. Check whether the power switch is turned on.

### 7. Magnetic Card Reader does not work

- a. Check if the KB Connector is properly connected to the computer's PS/2 port.

### 8. The card swipe character(s) is incorrect or shows random characters

- a. The country code parameter setting may need modification, please refer to the section, MCR Parameter Modifications.